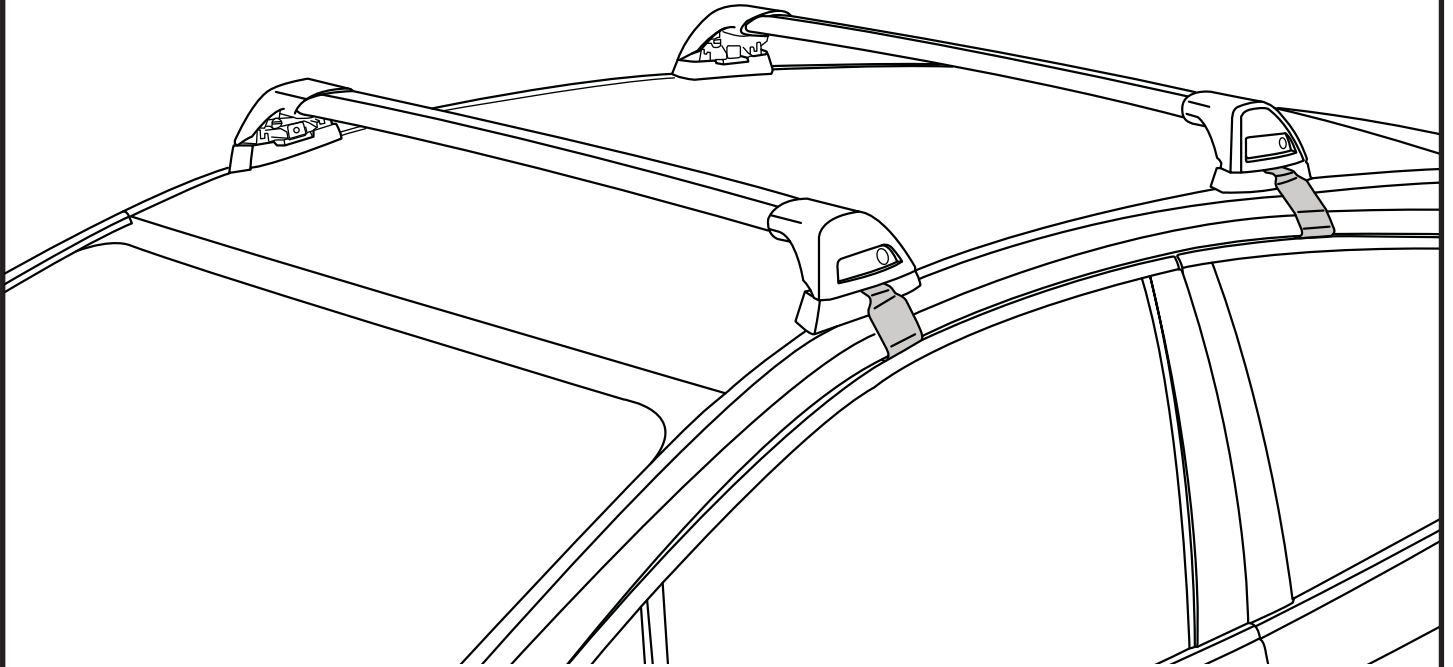
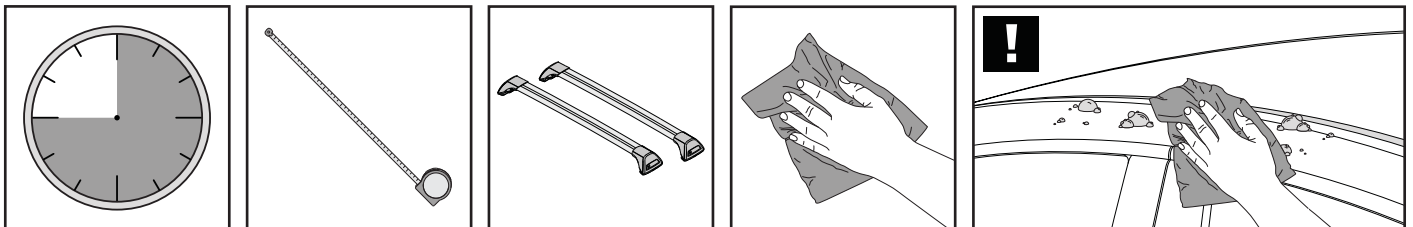


K804

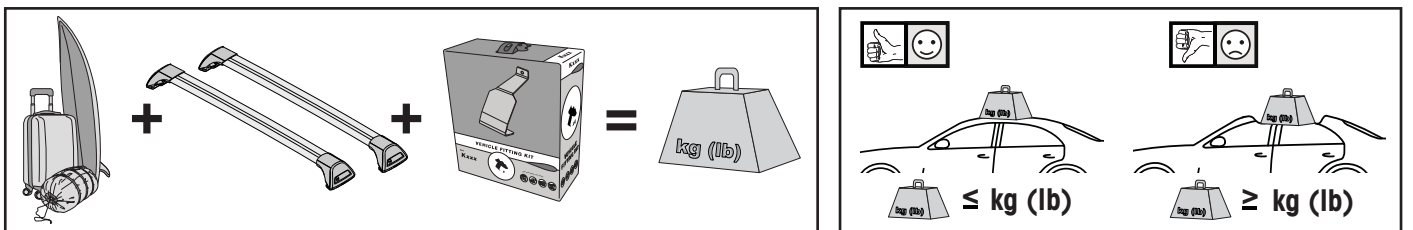
Fitting Kit

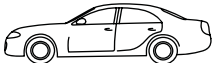

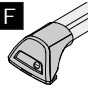
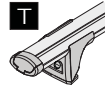
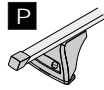
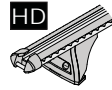


REQUIRED • OBLIGATOIRE • REQUERIDOS • ERFORDERLICH • RICHIESTO • 需要 • ОБЯЗАТЕЛЬНО

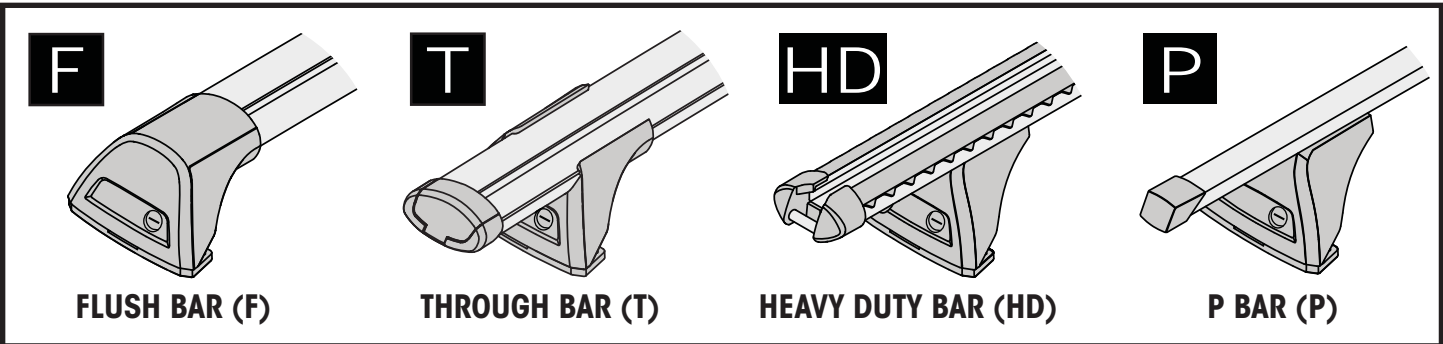
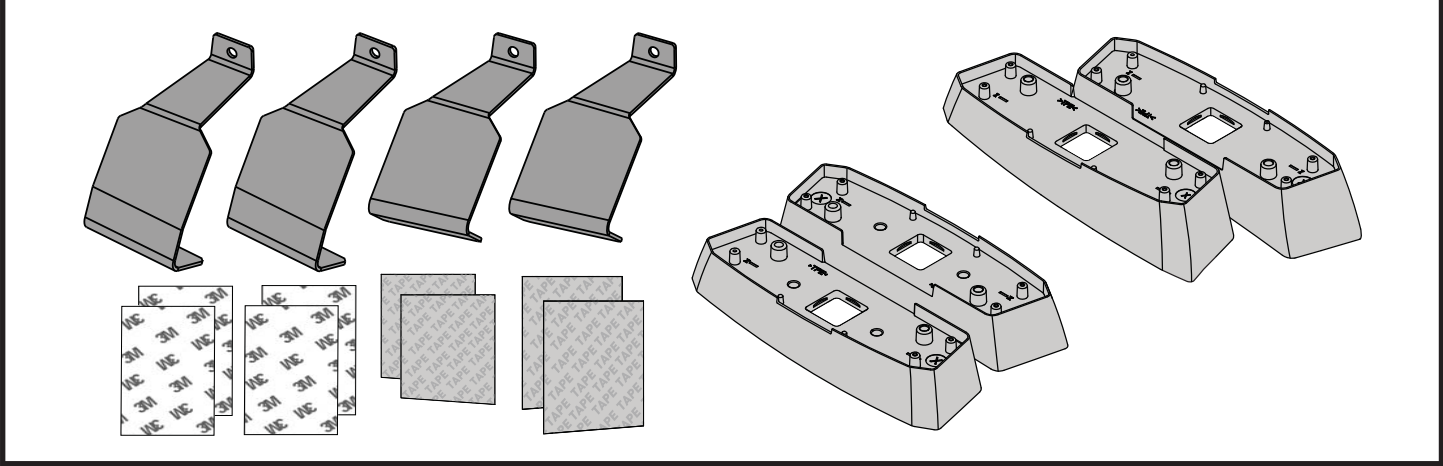


MAXIMUM kg (lb) • MAXIMAL kg • MASSIMO kg • MÁXIMO kg • 最大 kg • МАКСИМУМ kg

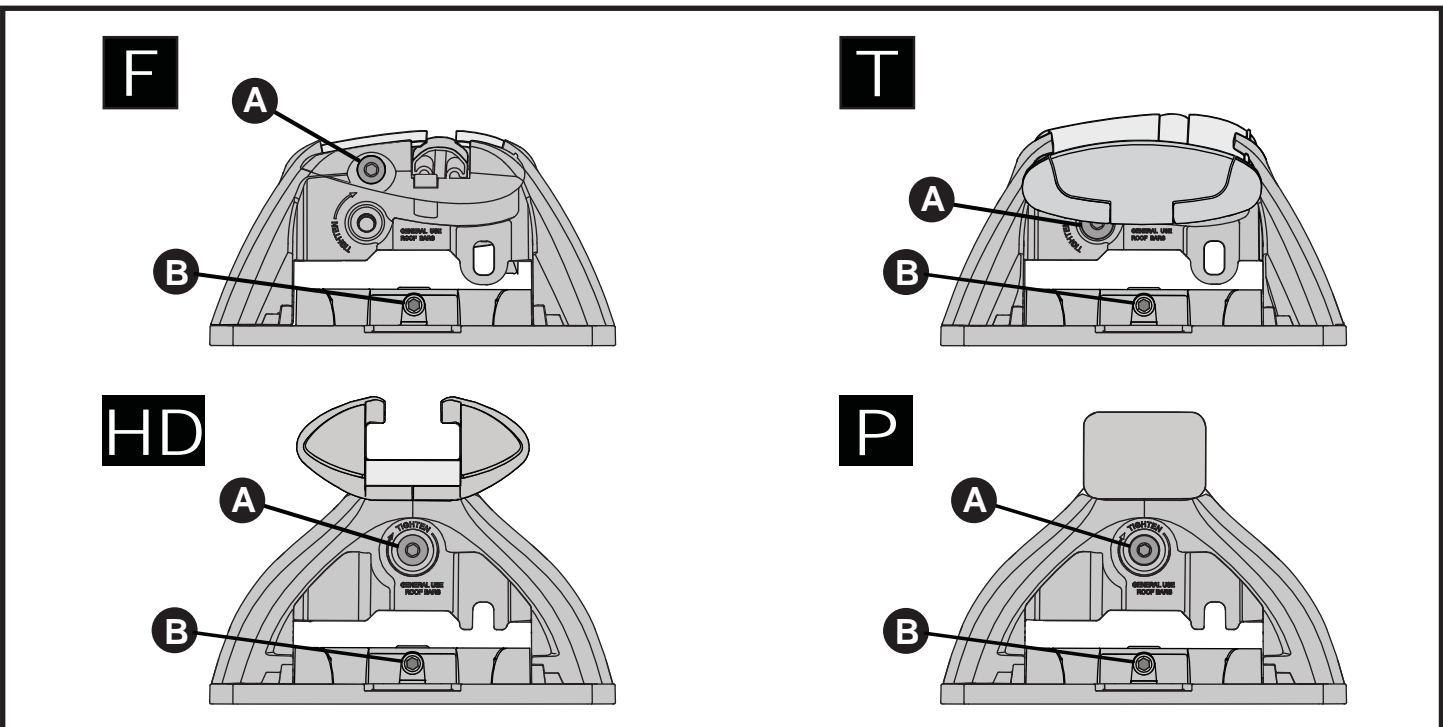
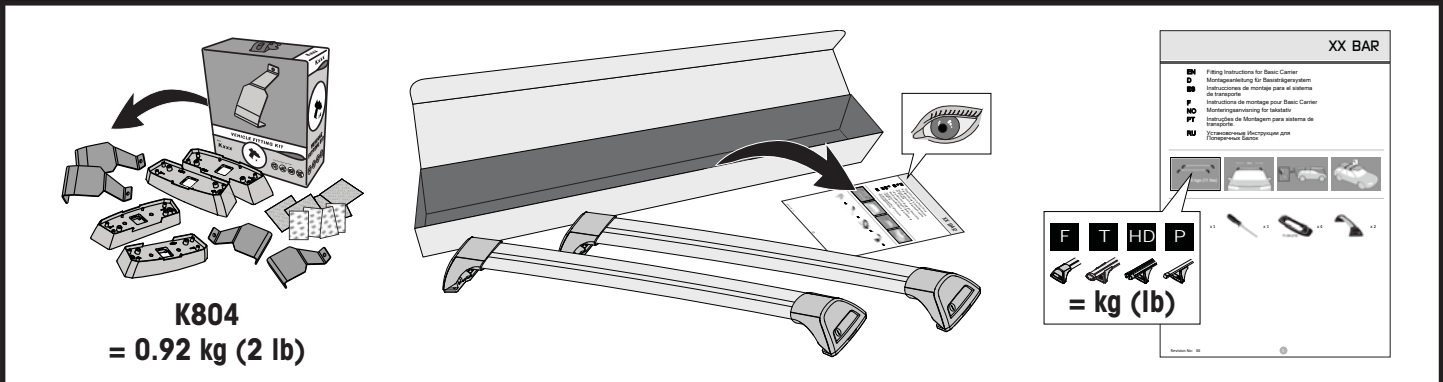


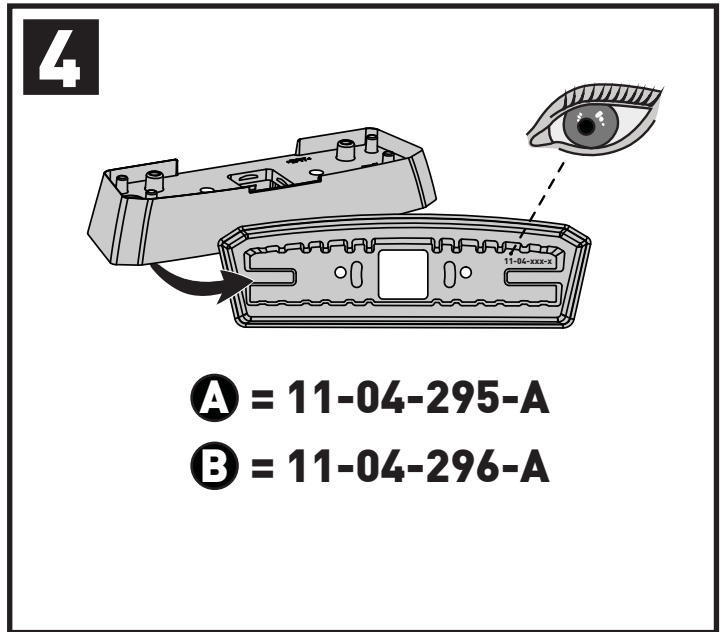
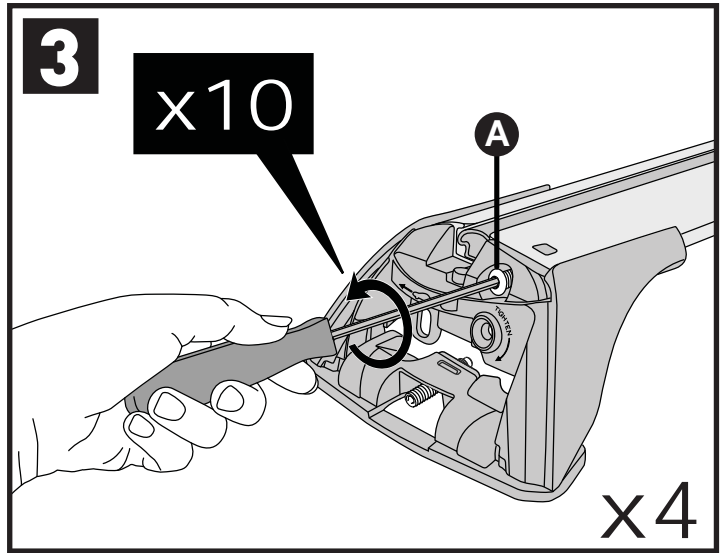
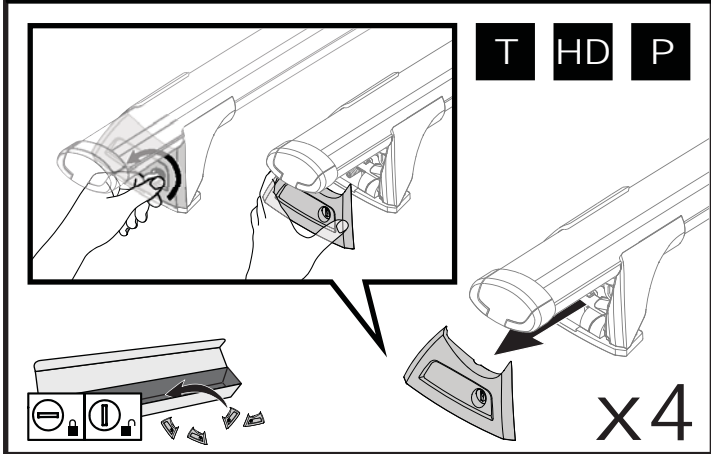
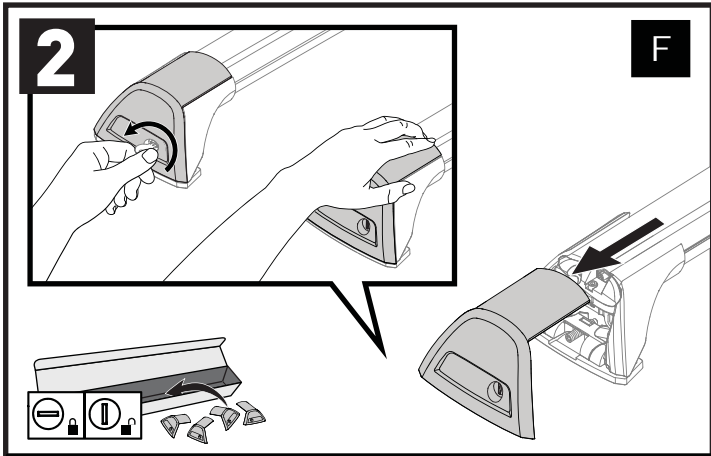
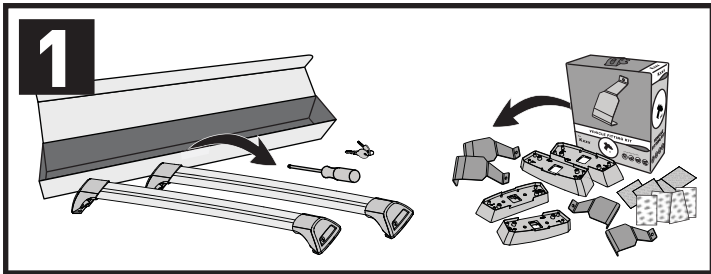
		F 	T 	P 	HD 
Kia Cerato, 4dr Sedan 13 - 16	EU	50kg (110 lb)			50 kg (110 lb)
Kia Cerato, 4dr Sedan 13 - April 16	AU, NZ	50kg (110 lb)			50kg (110 lb)
Kia Cerato, 4dr Sedan May 16+	AU, NZ, ZA, EU	50kg (110 lb)			50kg (110 lb)
Kia Forte, 4dr Sedan 14+	US	50kg (110 lb)			50kg (110 lb)
Kia K3, 4dr Sedan 13 - 16	CN	50kg (110 lb)			50kg (110 lb)
Kia K3, 4dr Sedan 16+	CN	50kg (110 lb)			50kg (110 lb)

CONTENTS • CONTENU • CONTENIDO • INHALT • CONTENUTO • CONTEÚDO • 内容 • СОДЕРЖАНИЕ

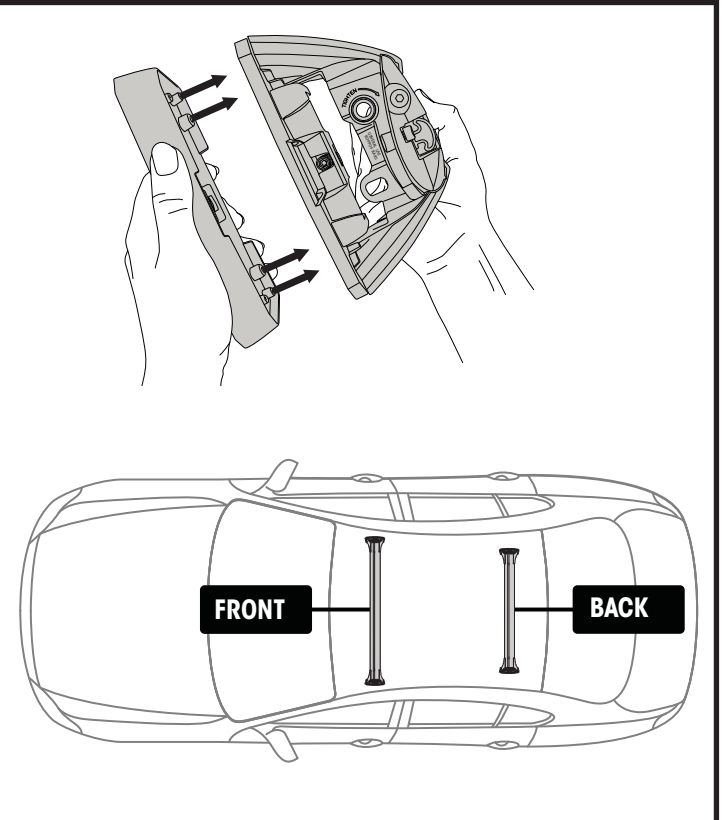
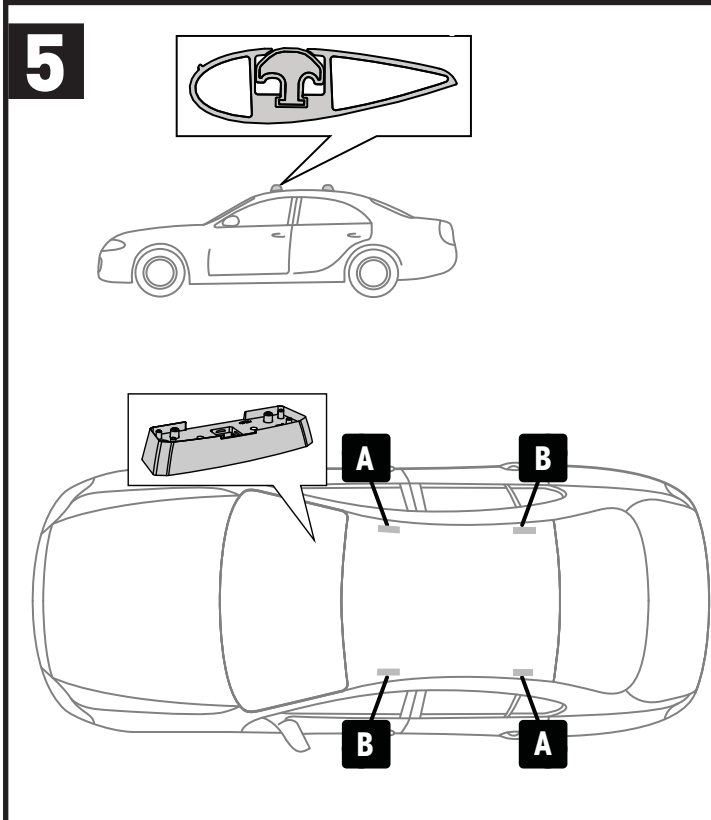


ATTENTION • ATENCIÓN • AUFMERKSAMKEIT • ATTENZIONE • ATENÇÃO • 注意 • ВНИМАНИЕ

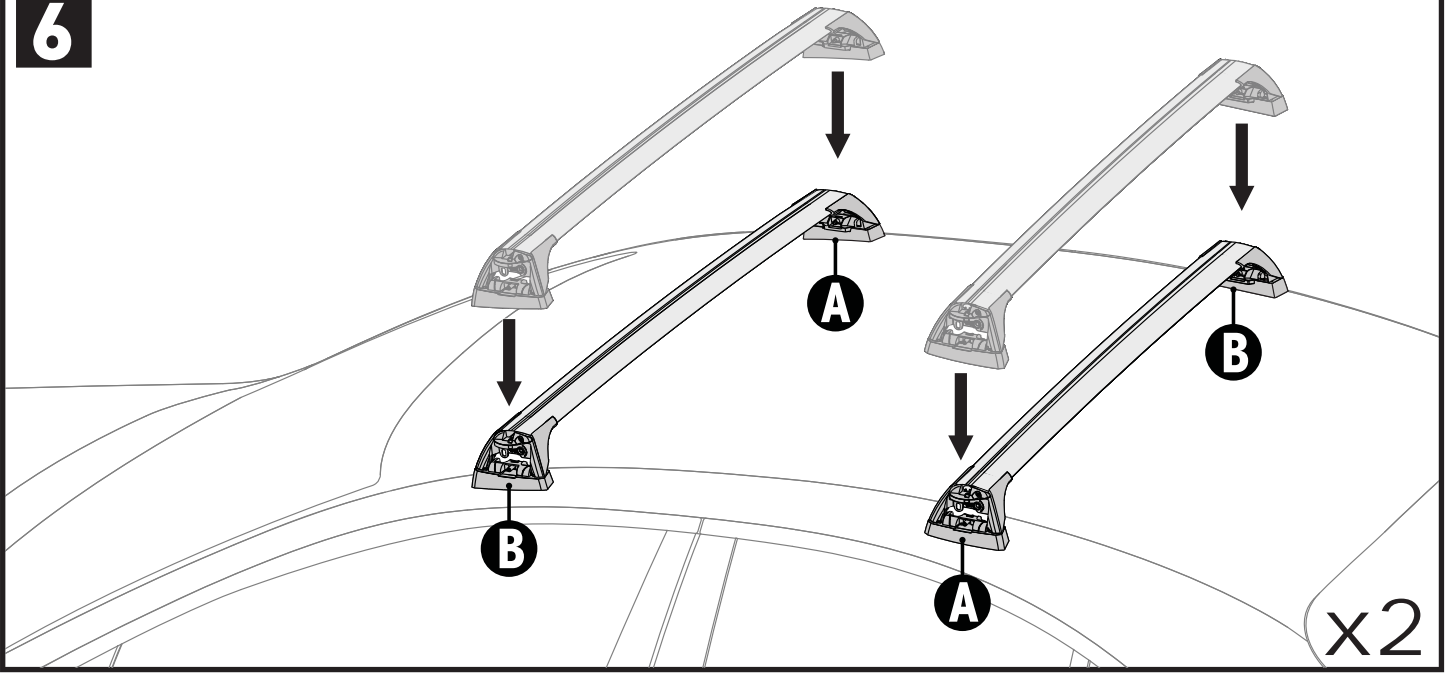




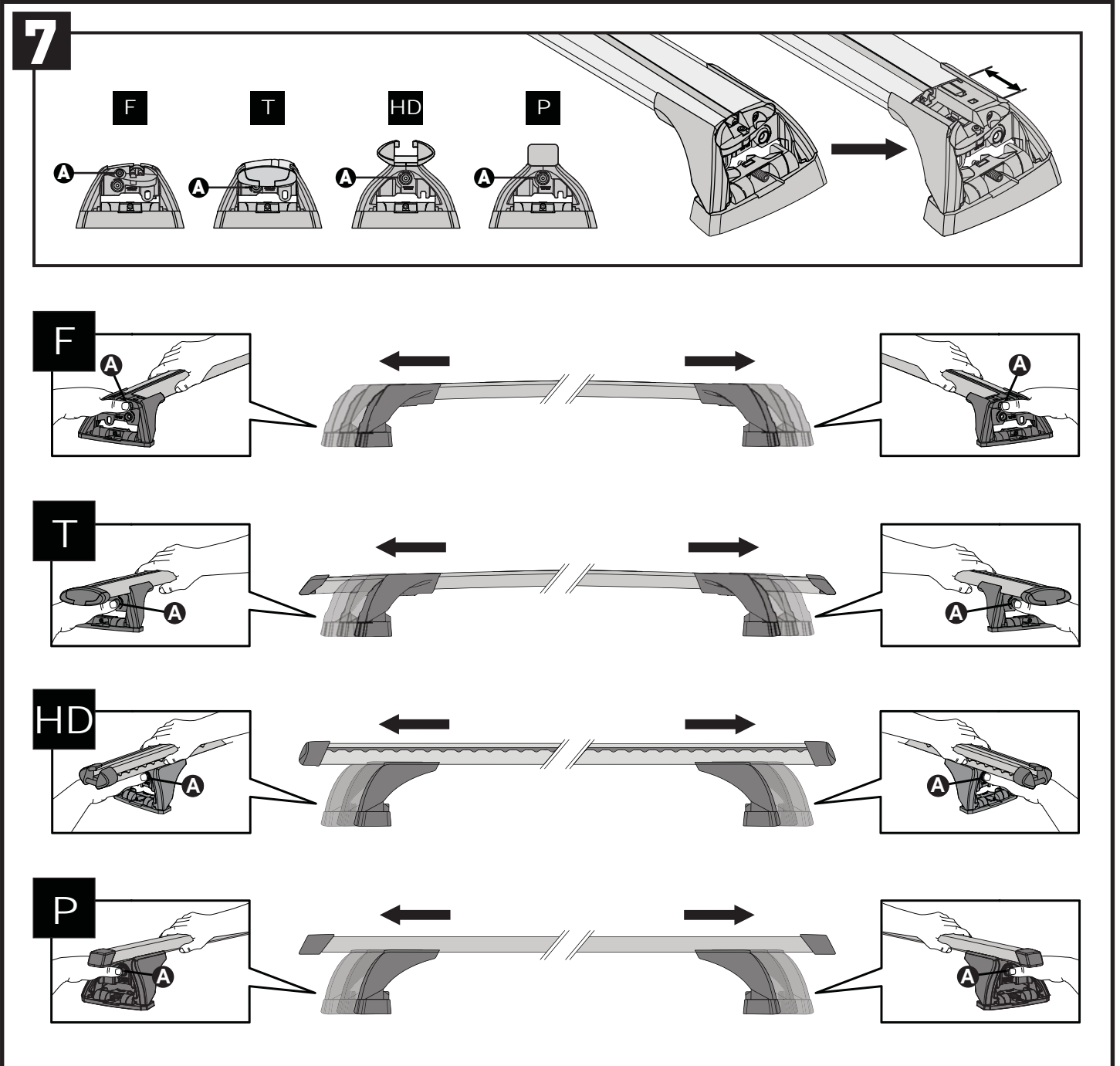
PLACEMENT • MONTAGE • COLOCACIÓN • PLATZIERUNG • COLLOCAMENTO • COLOCAÇÃO • 位置 • РАЗМЕЩЕНИЕ



6

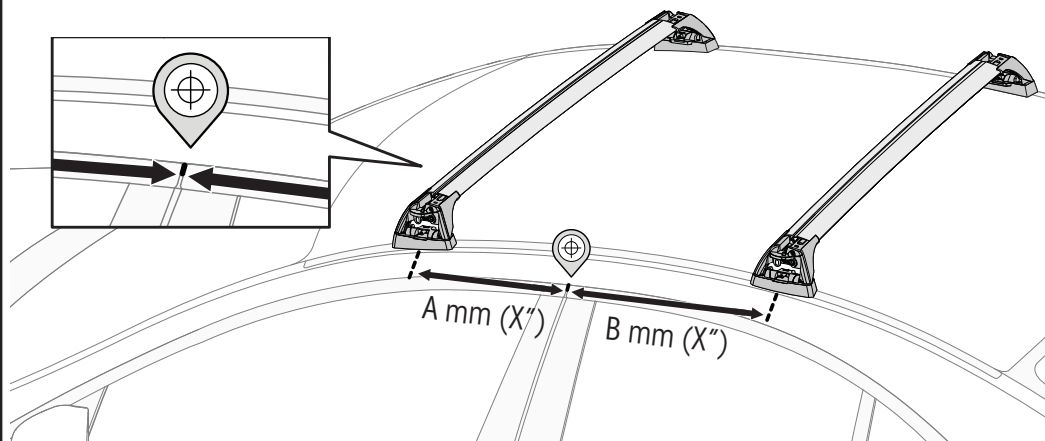
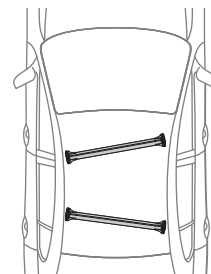
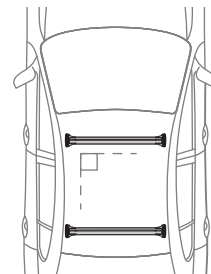




7



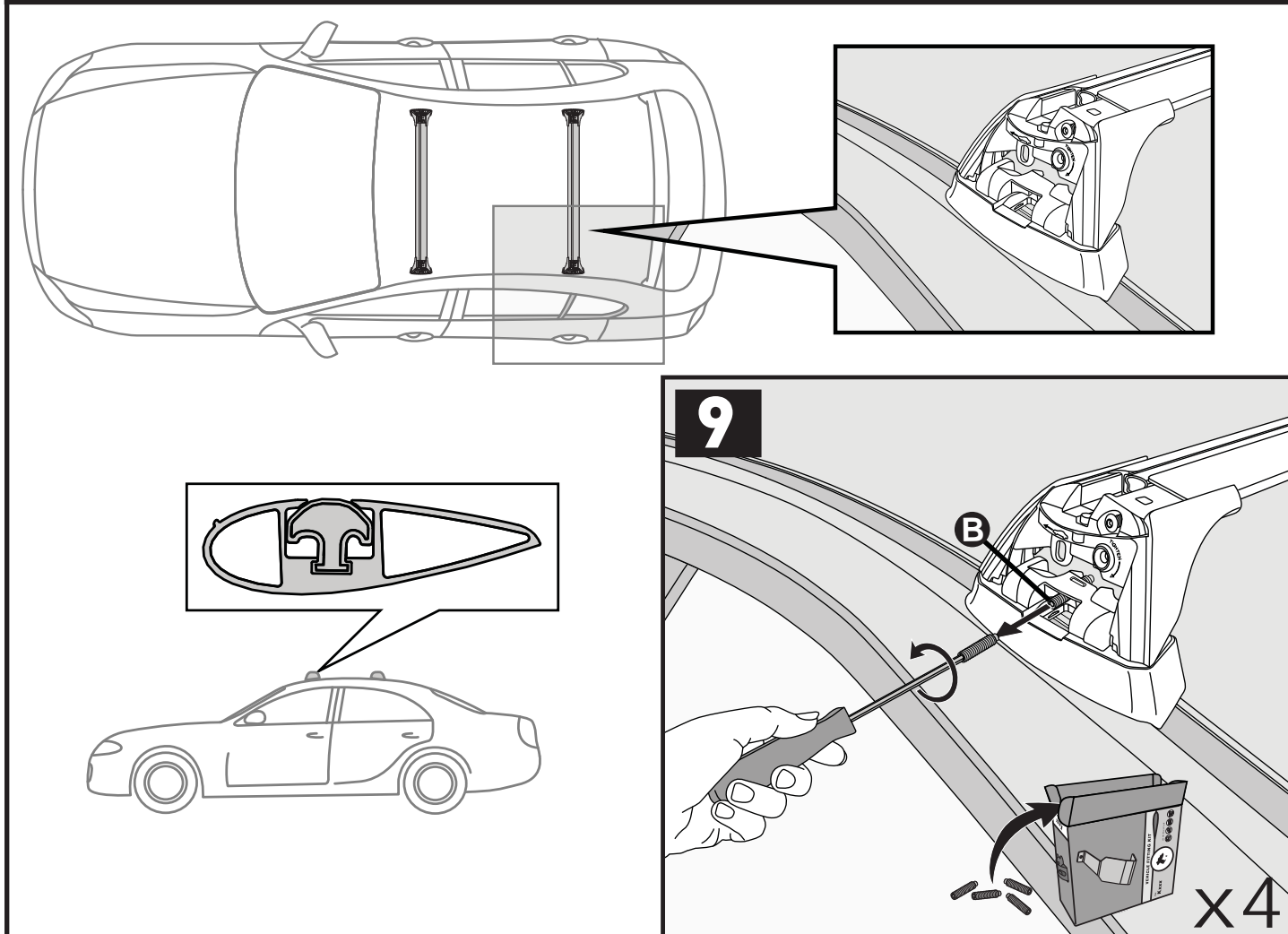
8

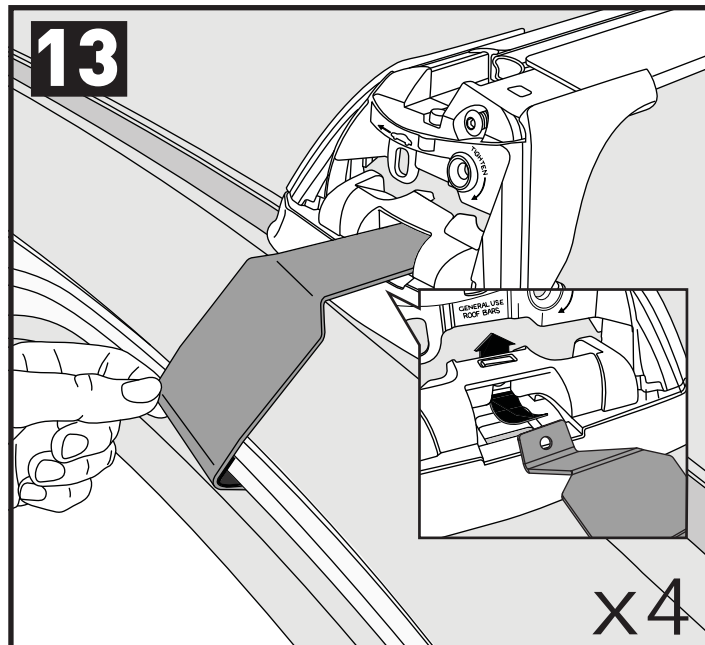
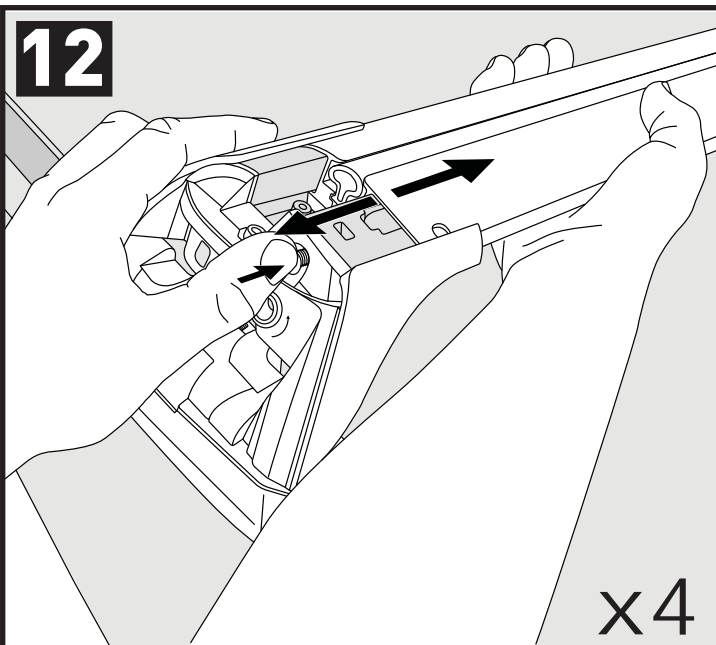
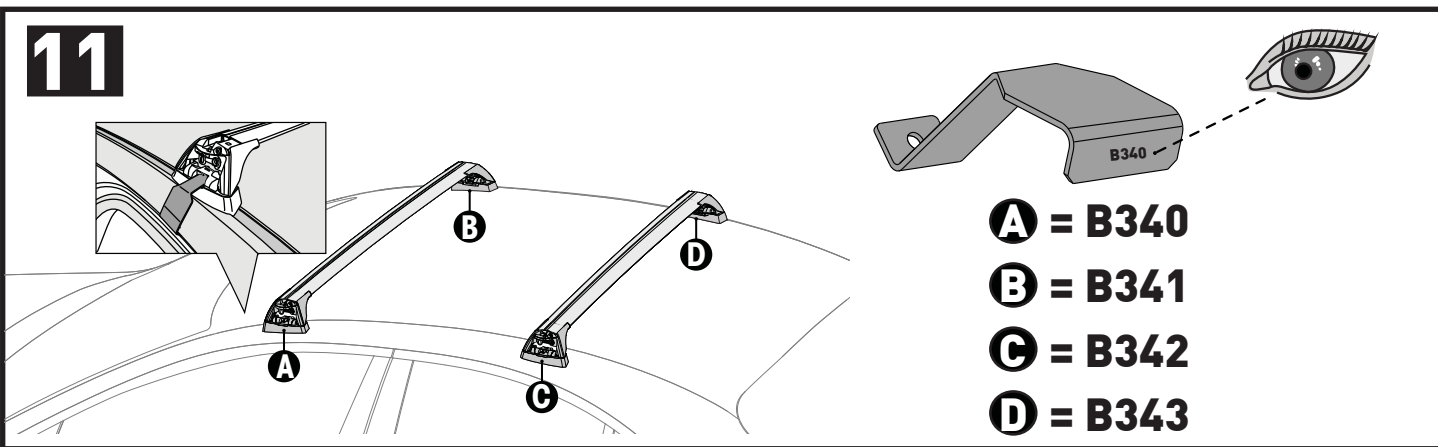
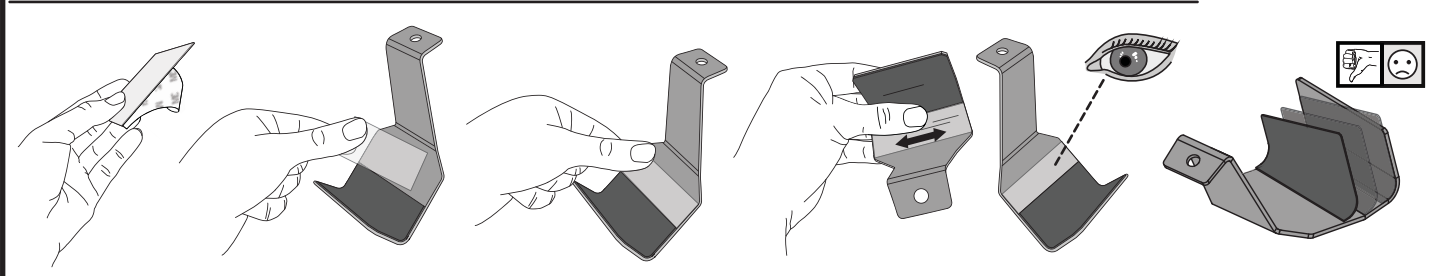
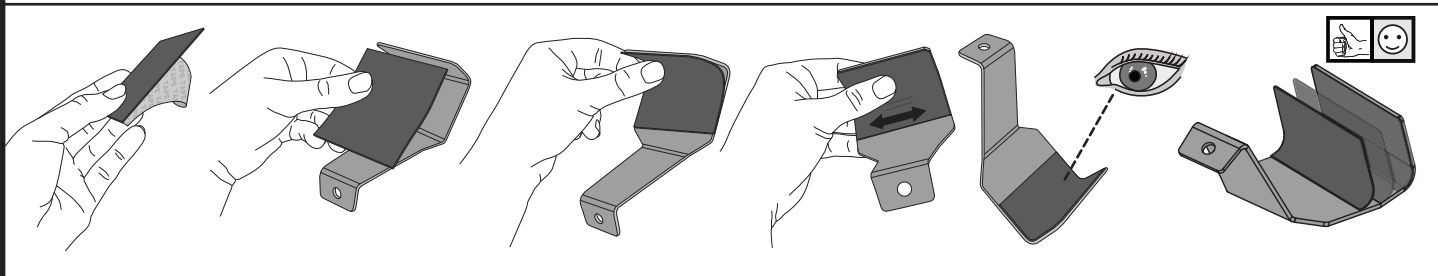
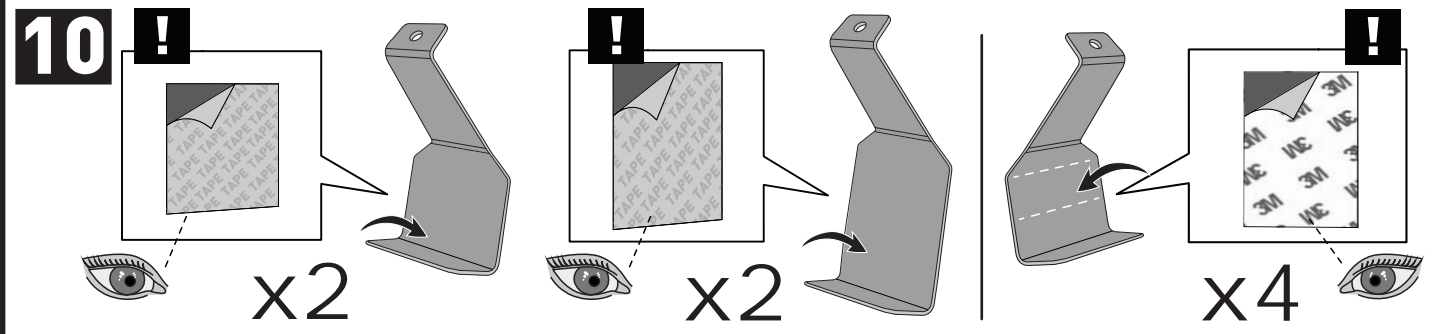
mm / inches

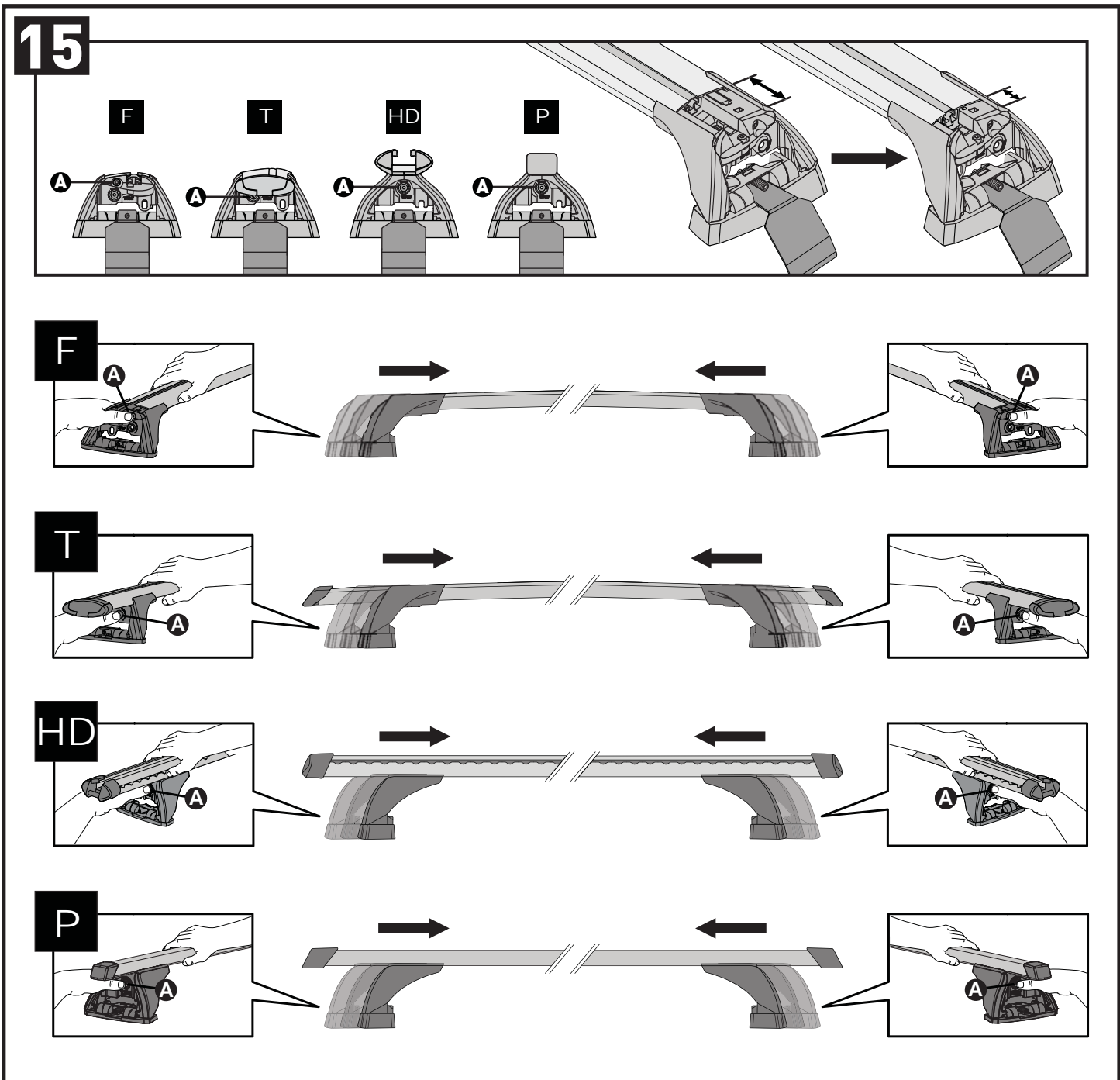
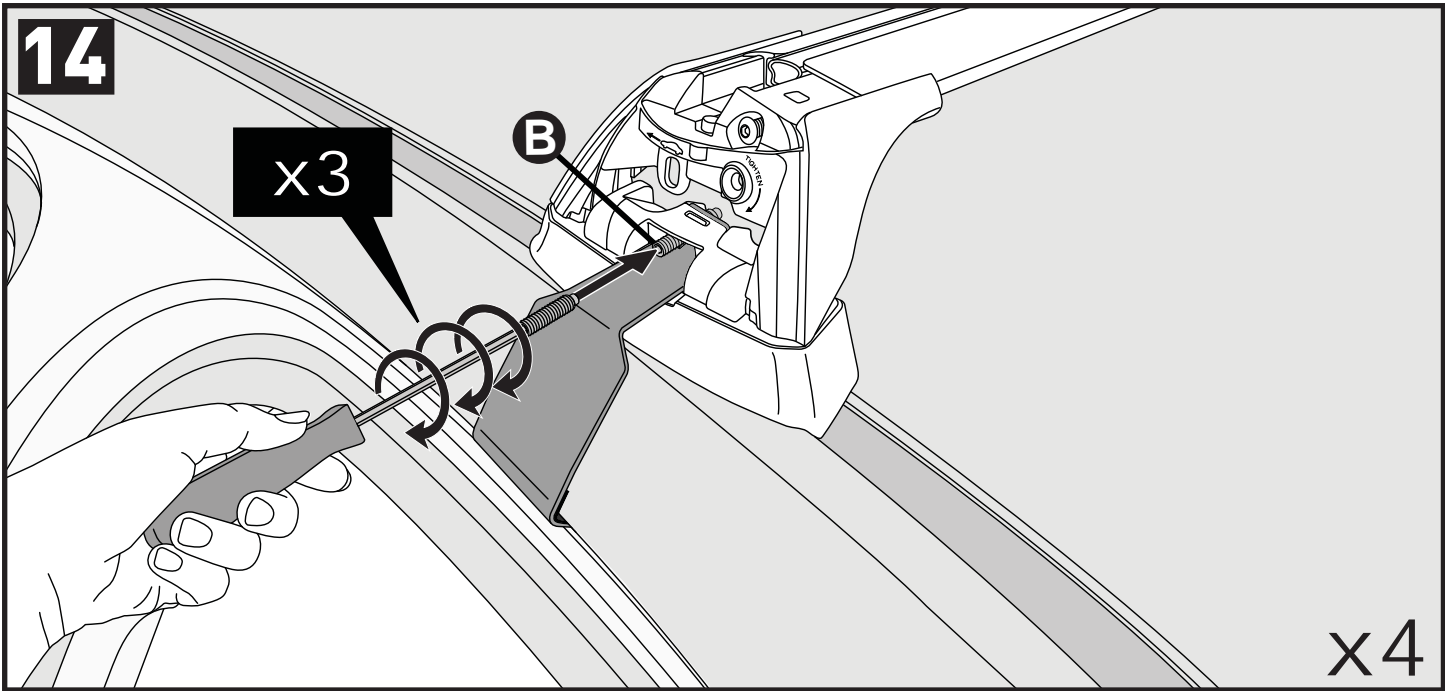


		A	B
Kia Cerato, 4dr Sedan 13 - 16	EU	280 mm (11")	360 mm (14 3/16")
Kia Cerato, 4dr Sedan 13 - April 16	AU, NZ	280 mm (11")	360 mm (14 3/16")
Kia Cerato, 4dr Sedan May 16+	AU, NZ, ZA, EU	250 mm (9 13/16")	445 mm (17 1/2")
Kia Forte, 4dr Sedan 14+	US	280 mm (11")	360 mm (14 3/16")
Kia K3, 4dr Sedan 13 - 16	CN	280 mm (11")	360 mm (14 3/16")
Kia K3, 4dr Sedan 16+	CN	250 mm (9 13/16")	445 mm (17 1/2")

PLACEMENT • MONTAGE • COLOCACIÓN • PLATZIERUNG • COLLOCAMENTO • COLOCAÇÃO • 位置 • РАЗМЕЩЕНИЕ

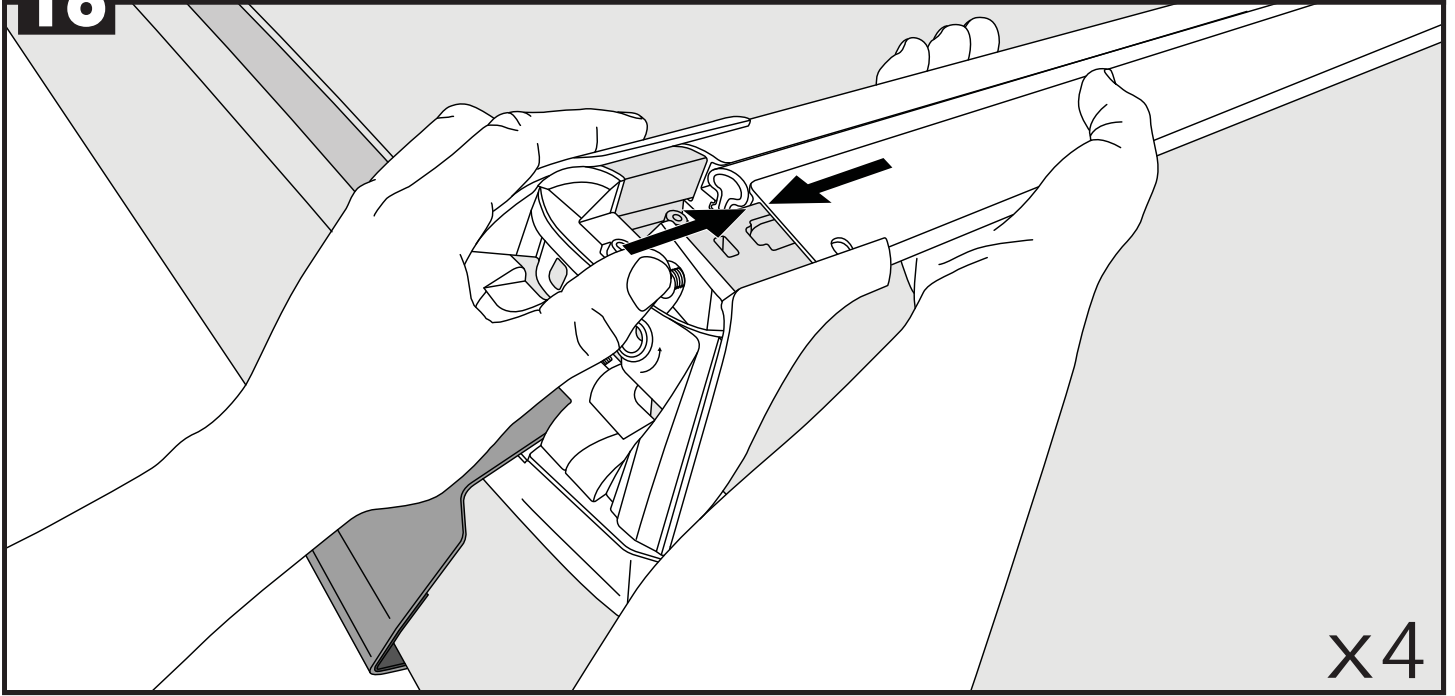




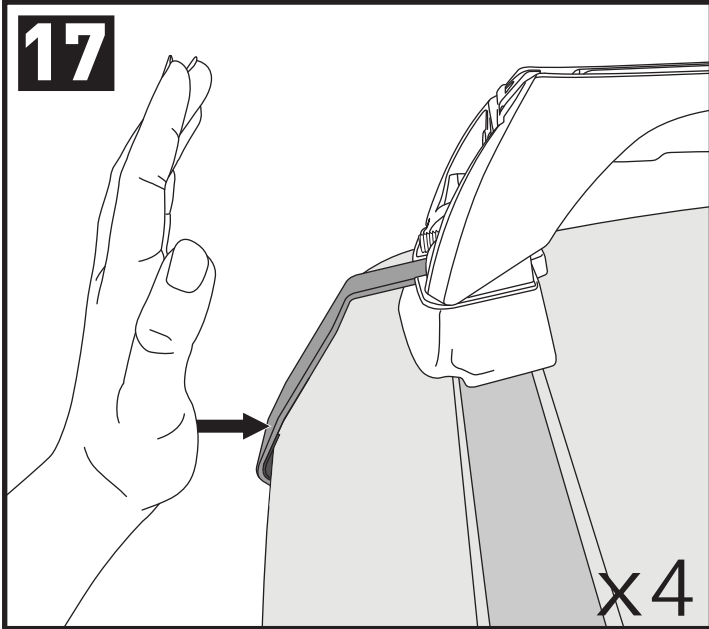


16

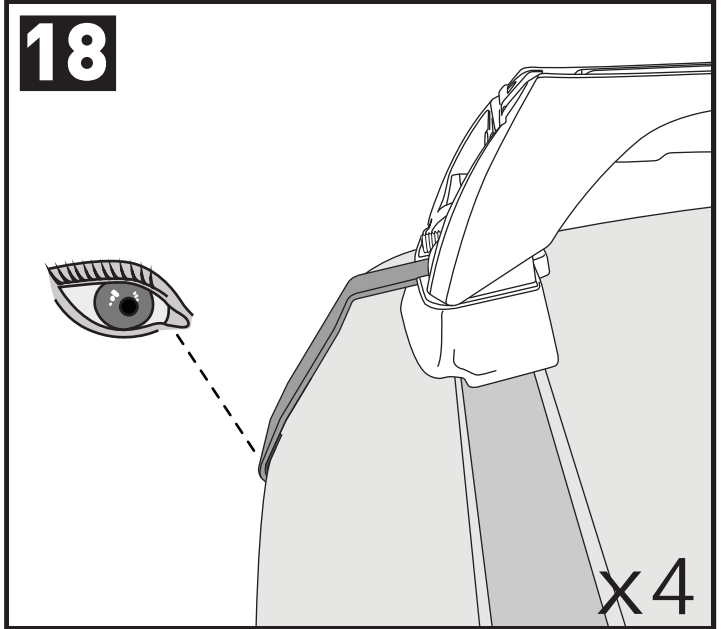
CLOSE • FERMER • CERRAR • GESCHLOSSEN • VICINO • FECHAR • 关紧 • ЗАКРЫТЬ



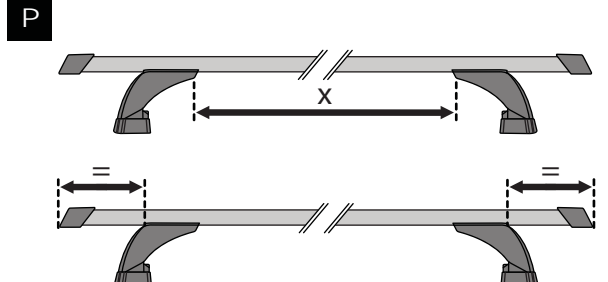
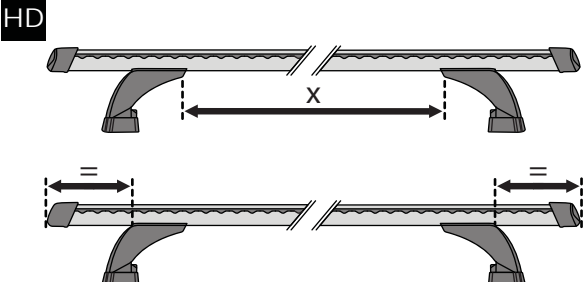
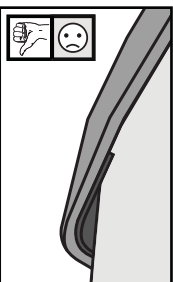
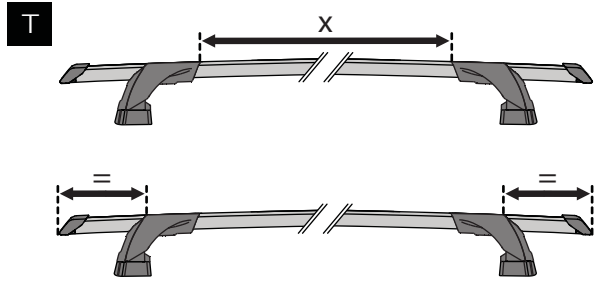
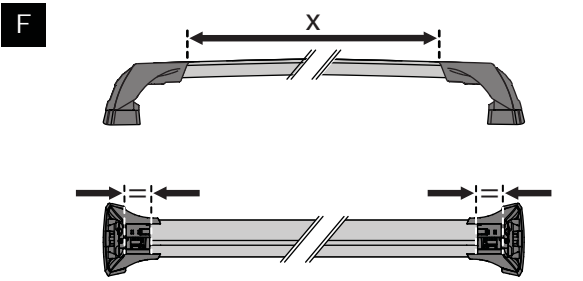
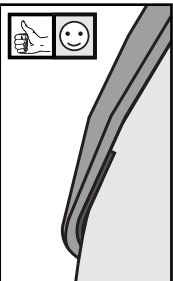
17



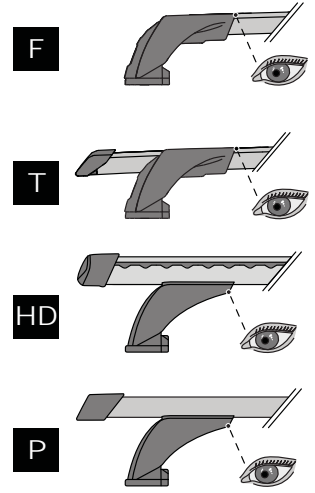
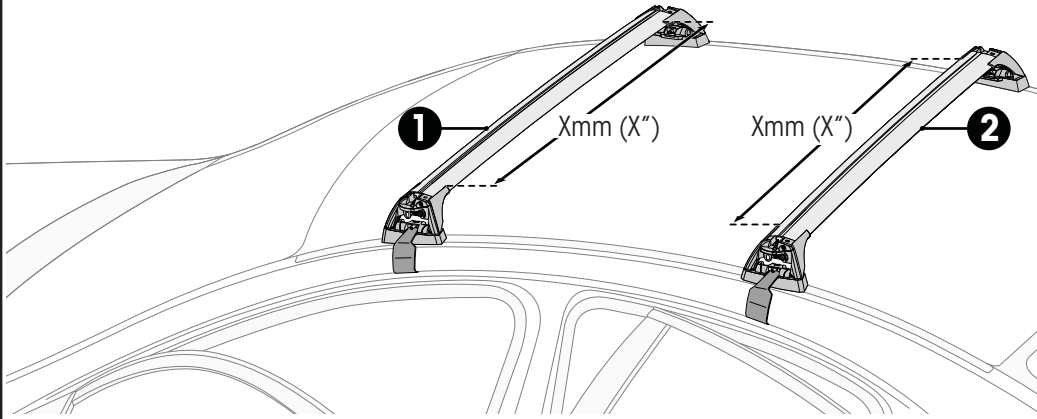
18



ATTENTION • ATENCIÓN • AUFMERKSAMKEIT • ATTENZIONE • ATENÇÃO • 注意 • ВНИМАНИЕ

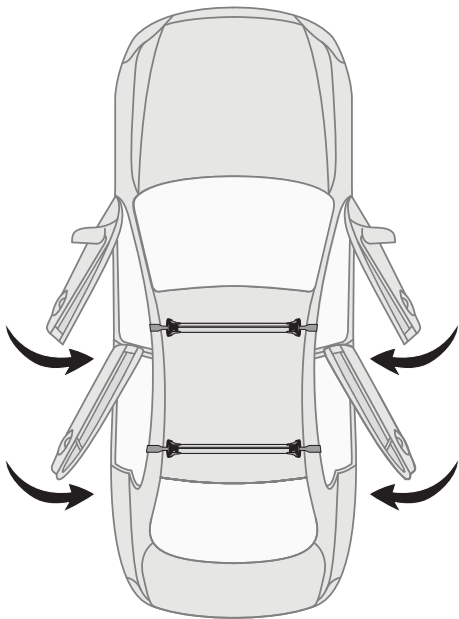


19



		1	2
Kia Cerato, 4dr Sedan 13 - 16	EU	X = 895 mm (35 1/4")	X = 873 mm (34 3/8")
Kia Cerato, 4dr Sedan 13 - April 16	AU, NZ	X = 895 mm (35 1/4")	X = 873 mm (34 3/8")
Kia Cerato, 4dr Sedan May 16+	AU, NZ, ZA, EU	X = 873 mm (34 3/8")	X = 861 mm (33 7/8")
Kia Forte, 4dr Sedan 14+	US	X = 895 mm (35 1/4")	X = 873 mm (34 3/8")
Kia K3, 4dr Sedan 13 - 16	CN	X = 895 mm (35 1/4")	X = 873 mm (34 3/8")
Kia K3, 4dr Sedan 16+	CN	X = 873 mm (34 3/8")	X = 861 mm (33 7/8")

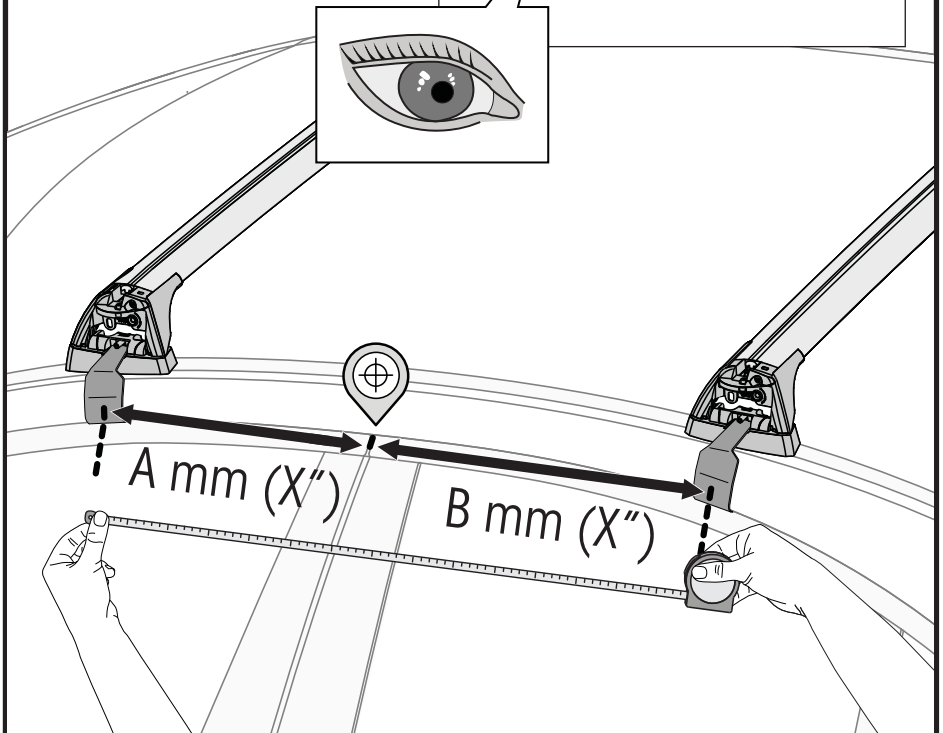
20

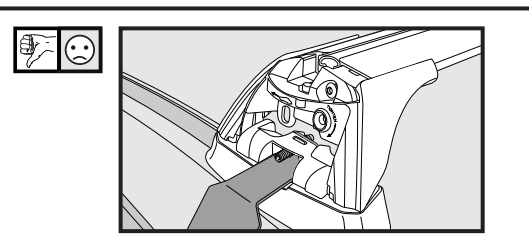
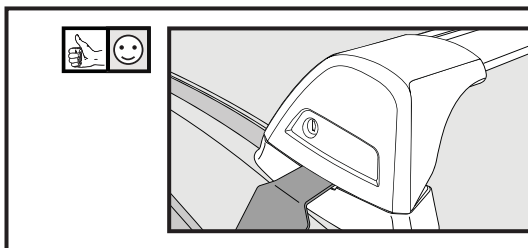
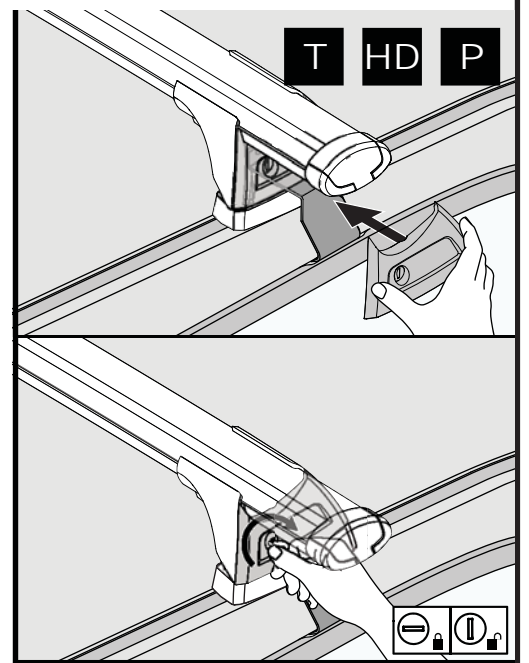
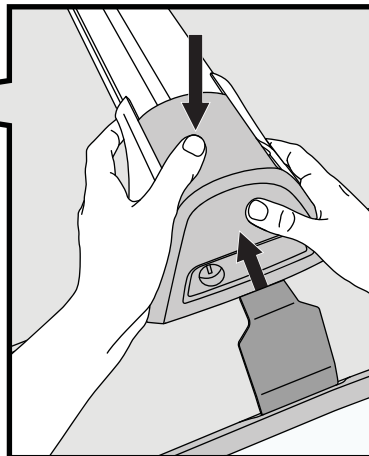
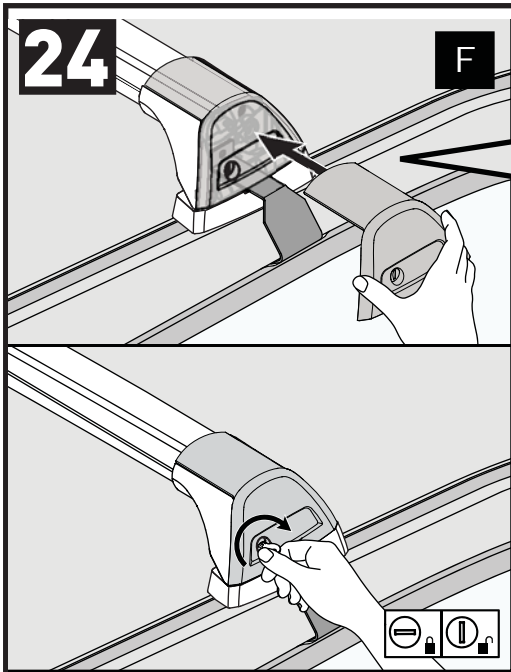
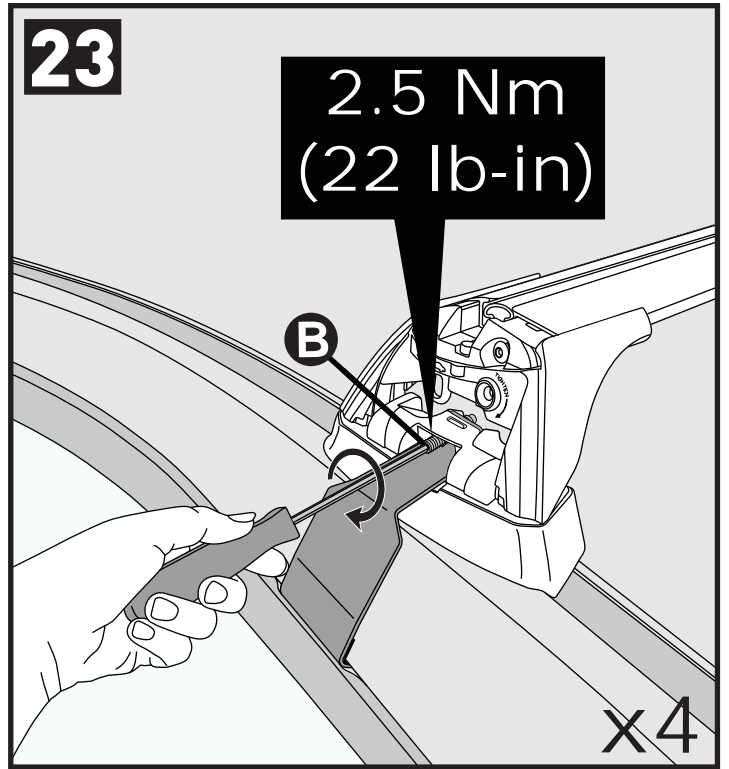
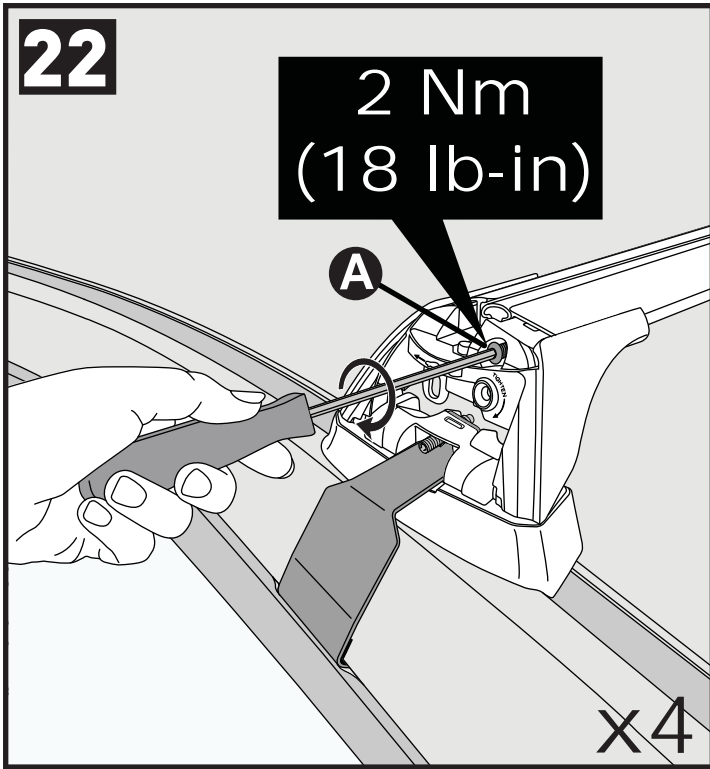


21



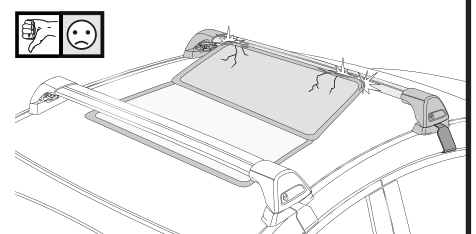
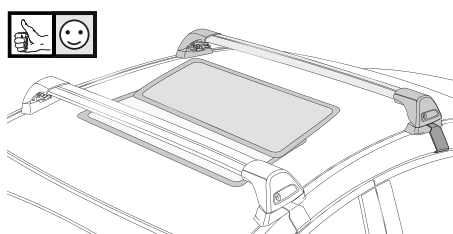
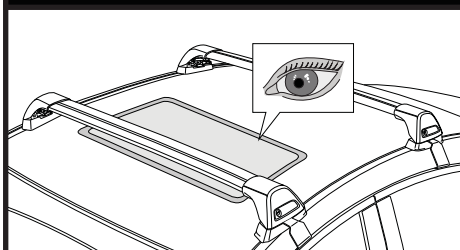
Make Model, Variant, xdr, Vehicle Type, xx+	Region	A	B
Make Model, Variant, xdr, Vehicle Type, xx+	AU, NZ, CN, US, EU, ZA	xxxx mm (xxx inches)	xxxx mm (xxx inches)
Make Model, Variant, xdr, Vehicle Type, xx+	AU, NZ, CN, US, EU, ZA	xxxx mm (xxx inches)	xxxx mm (xxx inches)
Make Model, Variant, xdr, Vehicle Type, xx+	AU, NZ, CN, US, EU, ZA	xxxx mm (xxx inches)	xxxx mm (xxx inches)

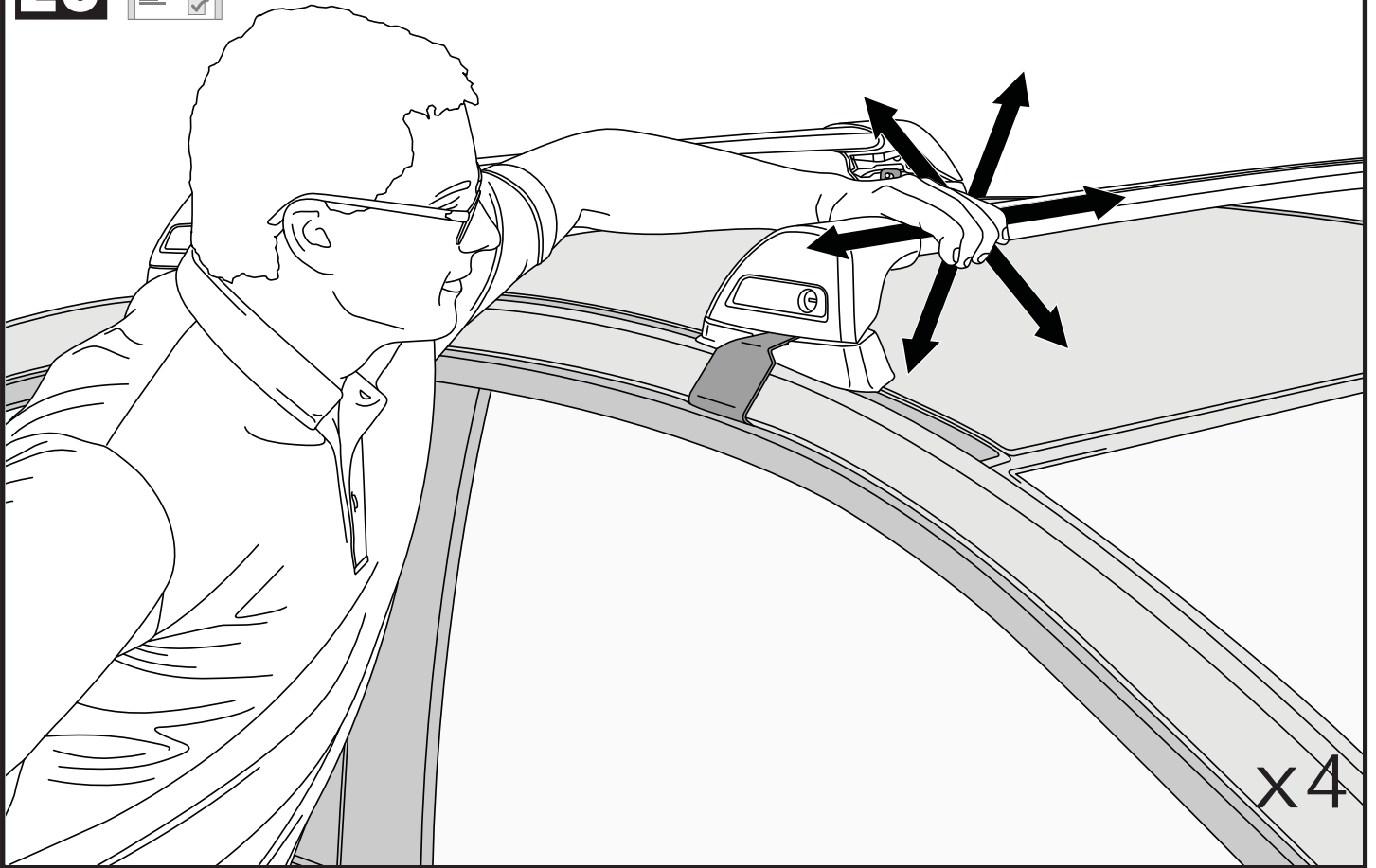




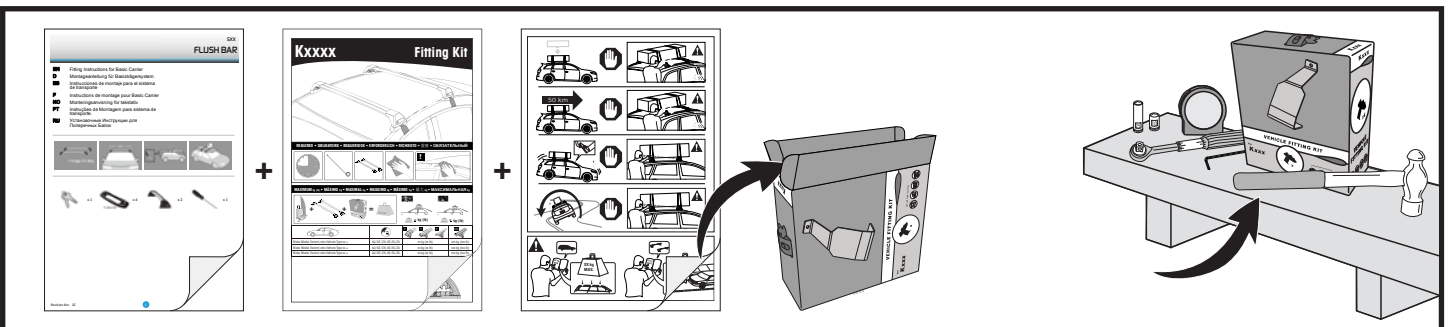
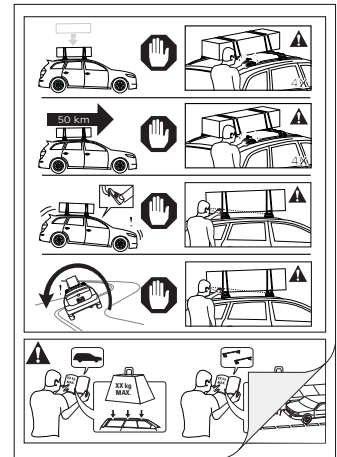
x4

ATTENTION • ATENCIÓN • AUFMERKSAMKEIT • ATTENZIONE • ATENÇÃO • 注意 • ВНИМАНИЕ



25
ATTENTION • ATENCIÓN • AUFMERKSAMKEIT • ATTENZIONE • ATENÇÃO • 注意 • ВНИМАНИЕ

- EN** Please read safety and warranty booklet included with this product prior to use. For more information visit your local dealer.
- FR** Veuillez lire attentivement le manuel de sécurité et de garantie avant utilisation. Pour plus d'informations, visitez votre concessionnaire local.
- ES** Por favor, lea folleto de seguridad y garantía que se incluye con este producto antes de su uso. Para obtener más información, visite a su distribuidor local.
- DE** Bitte lesen und beachten Sie die beiliegende Montageanleitung, Sicherheitshinweise und Garantiebedingungen bevor Sie das Produkt montieren/benutzen. Für weitere Informationen kontaktieren Sie bitte Ihren Händler.
- IT** Si prega di leggere il libretto di sicurezza e garanzia incluso nel prodotto prima dell'uso. Per maggiori informazioni visita il rivenditore locale.
- PT** Por favor leia o manual de segurança e garantia incluído, antes de utilizar o produto. Para mais informações visite o seu revendedor local.
- CN** 使用前, 请仔细阅读产品内安全和保修细则。欲了解更多信息, 请咨询当地经销商。
- RU** Пожалуйста, ознакомьтесь с инструкцией перед тем, как использовать товар. Для получения более подробной информации обратитесь к местному дилеру.



Yakima Australia Pty Ltd
17 Hinkler Court, Brendale
QLD 4500, Australia

Yakima Europe Coöperatief U.A.
Archimedesbaan 25, 3439
ME Nieuwegein, The Netherlands

Yakima Products, Inc.
15025 SW Koll Pkway,
Beaverton, OR 97006 USA